



E.H. WACHS®
Superior Equipment. Complete Support.™

Hydraulic Power Unit

HCM-D23



NEW
HIGHER FLOW
AND PRESSURE

DESCRIPTION

E.H. Wachs newest HPU (Hydraulic Power Unit) sets the new standard in portable power units. Featuring a heavy duty 23 horsepower tier 4 compliant industrial diesel engine, the HCM-D23 is built for long life and designed to deliver greater flow and pressure, all in a compact machine that's easily transportable.

Everything about the HCM-D23 is heavy duty, from the heavy gauge powder coated frame to the solid rubber tires that will not deflate. Handles allow it to be easily positioned, and then folded down for storage or operation. All the operator controls and connections are centralized in the waist height control panel for maximum user convenience, including fuel and hydraulic oil fill.

DIESEL ENGINE

The Kohler® liquid-cooled diesel engine sets new standards for power and engineering excellence. It features three cylinders, an aluminum cylinder head with overhead camshaft and a cast iron block for ruggedness. An advanced injection system uses fuel more efficiently, while high-efficiency combustion significantly lowers emissions while offering quieter operation.

The large 5 gallon (19 liter) capacity fuel tank allows hours of running. Liquid cooling allows the unit to safely operate even in harsh environments. The HCM-D23 includes 12 volt electric start with a heavy duty 45 amp alternator, fuel, flow and pressure gauges plus the added security of low engine oil and high coolant temp automatic shutdown.

HPU LINE-UP

For its size, no other HPU offers greater flow or pressure. Rated at 0-15 GPM @ 1800 PSI (0-56.781 l/min @ 124.1 BAR) it boasts pressure and flow normally reserved for large, stationary power units. The HCM-D23 has sufficient power and flow to power most E. H. Wachs equipment, as well as competitive machines.

Hydraulic is a clean, sealed power supply that delivers a smooth, flat torque curve. It's the best choice for hostile or difficult environments including airborne salt spray, sand, and partial or full immersion in water or mud. E.H. Wachs offers a complete line of gasoline, diesel and electric driven skid, cart and trailer mounted hydraulic power units.



Portable and easy to use the HCM-D23 is the ideal HPU for the job



HCM-D23 features a 12 volt electric start, hours meter, and variable flow control



Pressure gauge and flow meter are easily viewed from the operator's position



E.H. WACHS®
Superior Equipment. Complete Support.™

Hydraulic Power Unit

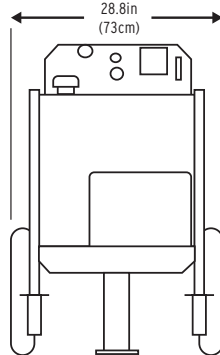
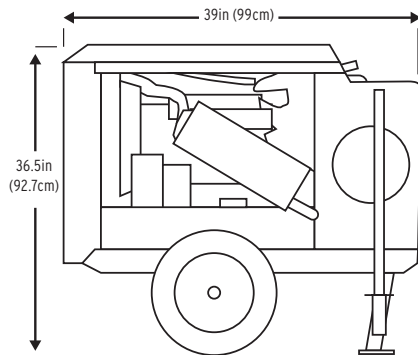
HCM-D23

STANDARD FEATURES

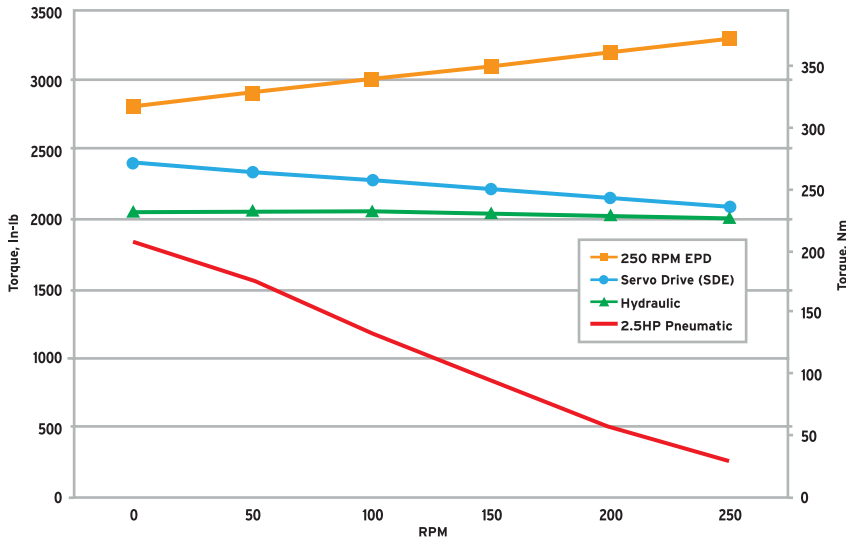
- Liquid cooled diesel engine
- High output hydraulic pump
- Durable powder coated finish
- Solid rubber tires
- HTMA flat faced couplers included
- Large capacity hydraulic oil cooler to extend unit life
- Fuel level gauge and hour meter
- Low engine oil pressure & high temp auto shutdown
- 45 amp alternator
- Collapsible handles for easy storage
- 12 volt electric start
- Replaceable 10 micron hydraulic oil filter
- Heavy duty single point lift ring

SPECIFICATIONS:

- **Part Number: 14-000-33**
(Replaces 17-000-26)
- **Flow:** 0-15 GPM @ 1800 PSI
(0-56.781 l/min @ 124.1 bar)
- **Length:** 39in (99cm)
- **Height:** 36.5in (92.7cm)
- **Width:** 28.8in (73cm)
- **Weight:** 520lbs (236kg)
- **Filtration:** 10 Micron Return Line Canister
- **Oil Cooler:** Air to Oil
- **Engine:** 23 HP Kohler Tier 4 Compliant Diesel
- **Fuel:** 5 Gallons (19 Liters)
- **Hydraulic Oil:** 4 Gallons (15.1 Liters)
- **Hydraulic Pressure Relief:**
1800 PSI (124.1 bar)



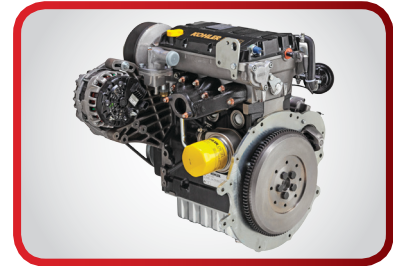
DRIVE MOTOR TORQUE COMPARISON ELECTRIC, PNEUMATIC DRIVE, & HYDRAULIC DRIVE



Collapsible handles for easy storage and smaller work area during operation



Heavy duty liquid cooling for long life and dependable running



3 cylinder Kohler® diesel engine provides long life, improved fuel efficiency and quieter operation

CONTACT YOUR REPRESENTATIVE FOR ADDITIONAL INFORMATION



E-mail: info@ehwachs.com
Telephone: +1.847.537.8800
Fax: +1.847.520.1147

Visit our website: ehwachs.com

US Headquarters
600 Knightsbridge Parkway
Lincolnshire, Illinois 60069